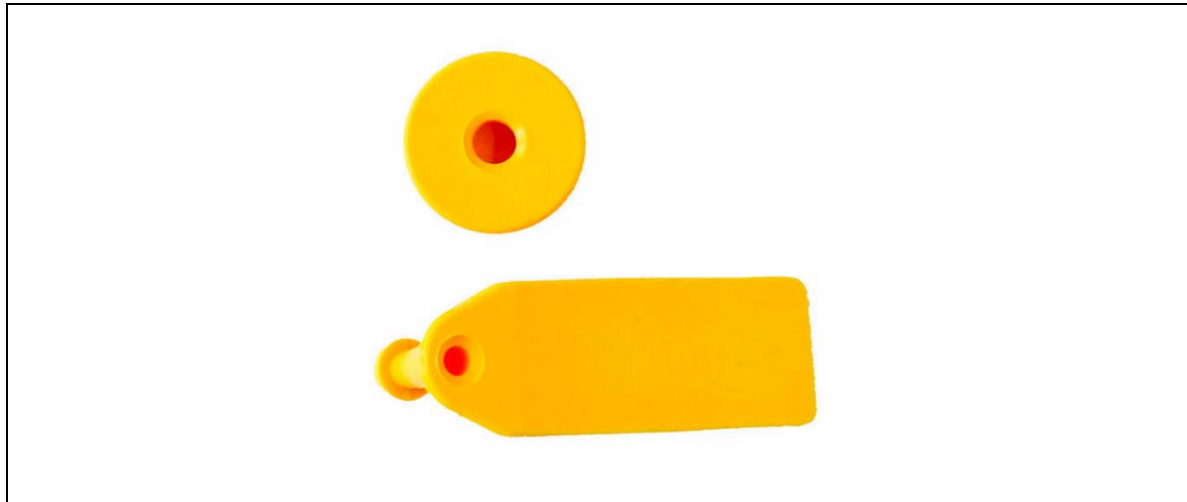


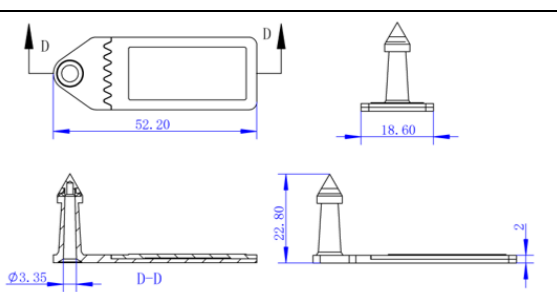
TA03 UHF RFID Livestock Eartag Datasheet



Performance Characteristics

Protocol:	EPC Class1 Gen2, ISO18000-6C
Operating Frequency:	(US Band) 902-928MHz
Chipset:	H3
Memory:	EPC 96bits, User 512bits
Re-writing cycles:	100,000 cycles
Functionality:	Read/Write
EEPROM data retention:	10 years
Applications:	Livestock eartag
Reading range: (With 4W fixed reader)	8.0m in air, 902-928MHz
Reading range: (With 2W handheld reader)	4.0m, in air, 902-928MHz
Warranty period:	1 year

Physical Characteristics

Dimension:	52.2mm X 18.6mm X 22.8mm
	
Material:	TPU
Color:	Yellow
Installation method:	Drill
Weight:	13.0g



Reliable forever.

Environmental Characteristics	
Storage Temperature:	IP65
Operating Temperature:	-20°C to +75°C
Hydrolytic resistance :	-20°C to +65°C
Anti-allergic :	Dip in 70°C water for 20 mins
Storage Temperature:	TPU material, suitable for livestock application