

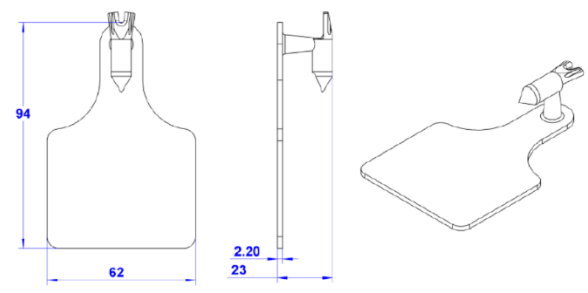
TA02 UHF RFID Livestock Eartag Datasheet



**Performance Characteristics**

Protocol:	EPC Class1 Gen2, ISO18000-6C
Operating Frequency:	(US Band) 902-928MHz
Chipset:	M4QT
Memory:	EPC 128bits, User 512bits
Re-writing cycles:	100,000 cycles
Functionality:	Read/Write
EEPROM data retention:	10 years
Applications:	Livestock eartag
Reading range: (With 4W fixed reader)	8.0m in air, 902-928MHz
Reading range: (With 2W handheld reader)	4.0m, in air, 902-928MHz
Warranty period:	1 year

**Physical Characteristics**

Dimension:	62mm X 94mm X 23mm
	
Material:	TPU
Color:	Yellow
Installation method:	Drill
Weight:	13.0g

<b>Environmental Characteristics</b>	
IP rating:	IP65
Storage Temperature:	-20°C to +75°C
Operating Temperature:	-20°C to +65°C
Hydrolytic resistance :	Dip in 70°C water for 20 mins
Anti-allergic :	TPU material, suitable for livestock application